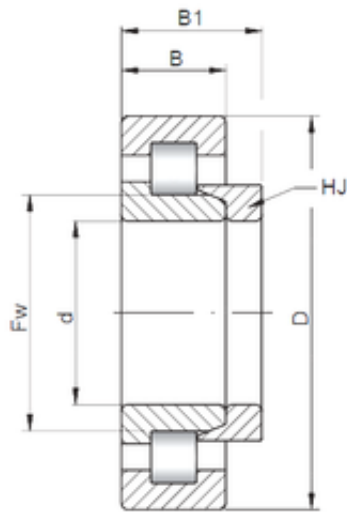




JieFei Bearing Co., Ltd



65 mm x 120 mm x 31 mm ISO NH2213 cylindrical roller bearings

Bearing No. NH2213

Dimensione	65x120x31 mm
Marchio	ISO
Diametro del foro	65 mm
Diametro esterno	120 mm
Larghezza	31 mm
d	65 mm
D	120 mm
B	31 mm
C	31 mm
B1	6 mm
B2	10,5 mm

NH2213 Bearing 2D drawings and 3D CAD models