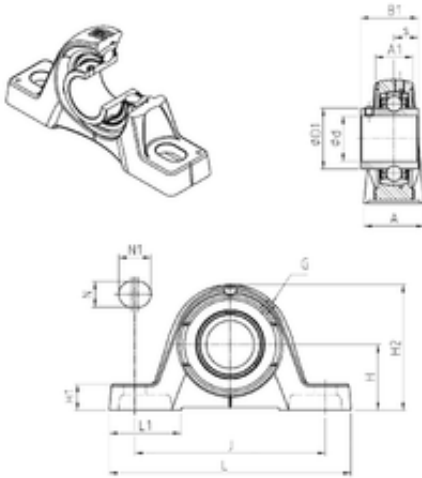




JieFei Bearing Co., Ltd



UCPE215 Bearing 2D drawings and 3D CAD models

SNR UCPE215 bearing units

Bearing No. UCPE215

Bore Diameter	75 mm
d	75 mm
s	33,3 mm
A	66 mm
A1	48 mm
B1	77,8 mm
D1	91,5 mm
H	82,5 mm
H1	27,5 mm
H2	164 mm
J	210 mm
L	265 mm
L1	78 mm
N	22 mm
N1	30 mm
Thread (G)	R1/8"
Weight	6,9 Kg
Basic dynamic load rating (C)	66 kN