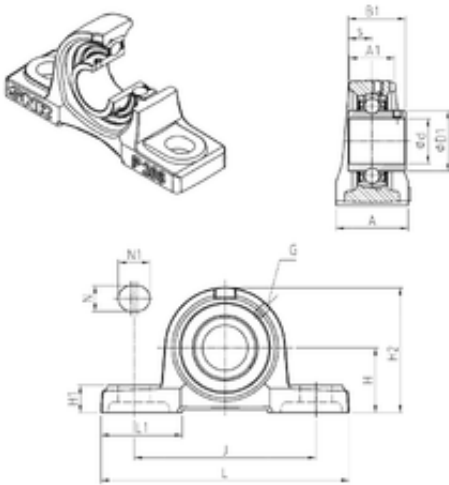




JieFei Bearing Co., Ltd



UCP212 Bearing 2D drawings and 3D CAD models

SNR UCP212 bearing units

Bearing No. UCP212

Bore Diameter	60 mm
d	60 mm
s	25,4 mm
A	70 mm
A1	44 mm
B1	65,1 mm
D1	74,9 mm
H	69,8 mm
H1	25 mm
H2	138 mm
J	184 mm
L	241 mm
L1	70 mm
N	20 mm
N1	25 mm
Thread (G)	M6x1
Weight	5 Kg
Basic dynamic load rating (C)	52,5 kN