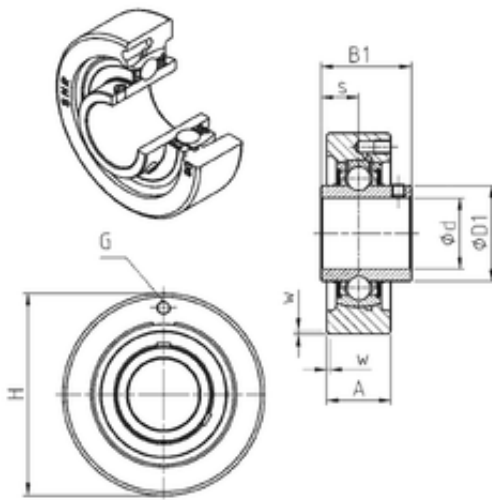




JieFei Bearing Co., Ltd

SNR UCC208 bearing units

Bearing No. UCC208



UCC208 Bearing 2D drawings and 3D CAD models

Bore Diameter	40 mm
d	40 mm
s	19 mm
A	30 mm
B1	49,2 mm
D1	53 mm
H	100 mm
W	2 mm
Thread (G)	M6x1
Weight	1,3 Kg
Basic dynamic load rating (C)	29,6 kN