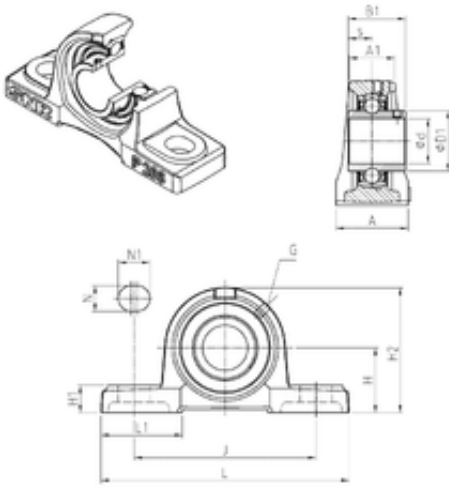




JieFei Bearing Co., Ltd



UCP328 Bearing 2D drawings and 3D CAD models

SNR UCP328 bearing units

Bearing No. UCP328

Bore Diameter	140 mm
d	140 mm
s	59 mm
A	140 mm
A1	92 mm
B1	145 mm
D1	190 mm
H	200 mm
H1	75 mm
H2	390 mm
J	500 mm
L	620 mm
L1	140 mm
N	40 mm
N1	55 mm
Thread (G)	M10x1
Weight	90,4 Kg
Basic dynamic load rating (C)	275 kN